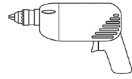


Add-A-Rod™

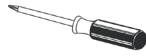
/// 1" x 60" Corner Shower Rod

Model 974-6633032H04

Tools required for installation (not included):



Drill



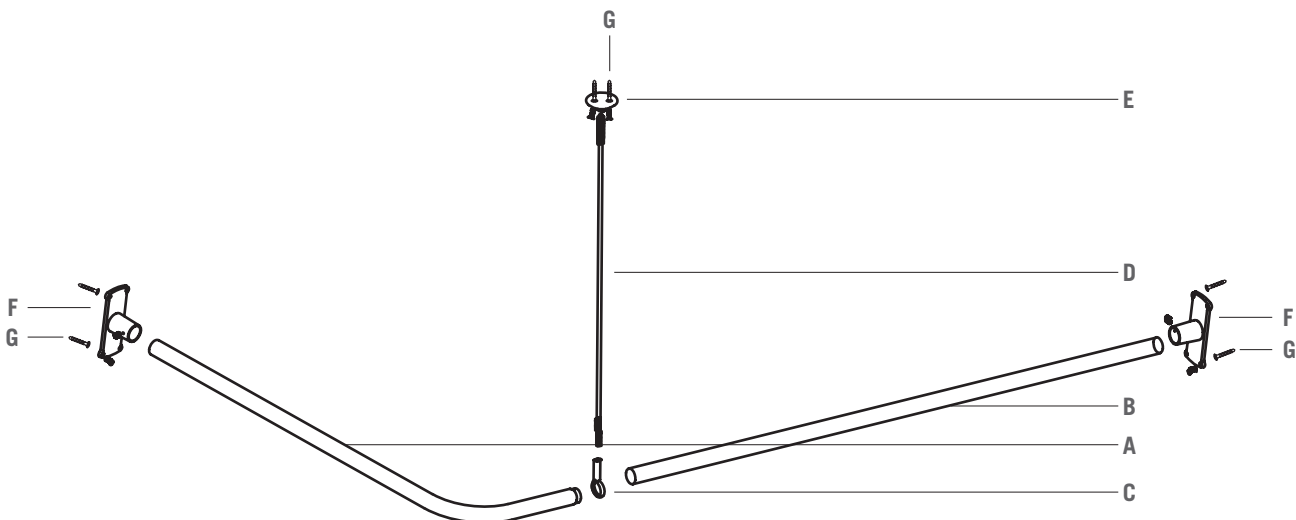
Screwdriver (Phillips Head)



Adjustable Wrench

Installation Instructions

1. Insert swaged end of "L" Section (A) into one end of straight tube (B).
2. Slip Ceiling support loop (C) over straight tube (B) with the set screw of the ceiling support loop facing mounting wall. Thread the 24" ceiling support rod (D) into the support loop (C) and into the ceiling support flange (E).
3. Insert open ends of corner shower rod assembly into the jumbo bar flanges (F) and secure with set screws that are provided in the flanges.
4. Lift complete corner shower rod assembly up until ceiling support flange (E) touches the ceiling. Secure ceiling support flange to the ceiling by using the provided screws and anchors (G). Align jumbo bar flanges (F) to the wall so that the corner shower rod assembly is perfectly horizontal and secure to the wall using the provided screws and anchors (G).
5. Tighten all screws.



Instrucciones en español disponibles en www.gotomahawk.com/technical/technical-documents
Consignes en français disponibles à www.gotomahawk.com/technical/technical-documents

Sioux Chief
tomahawk /// 

www.goTomahawk.com